

There is at least one washroom designated as accessible
(Either one for each sex, or one unisex)

Directional signage

There are signs at inaccessible washrooms that give directions to accessible washrooms

There is a clear, level accessible route to the accessible washroom

Accessible washrooms have the International Symbol of Accessibility

Signage has:

- text characters that are raised
- text characters that contrast with background
- Braille

The sign is mounted on the wall, on latch side of the door

Note: Signs are permitted on the push side of doors with closers and without hold-open devices

The baseline of the lowest character is at least 1220mm above the floor and the baseline of the highest character is no more than 1525mm

Note: For double doors:

- with one active leaf ~ the sign is on the inactive leaf
- with two active leaves ~ the sign is on the wall to the right of the right leaf

Interior doors

Door opening width is at least 815mm clear, between the face of the door and the stop, when the door is open 90°

Front approach to the pull side of the door has at least 455mm of maneuvering clearance beyond the latch side plus at least 1525mm clear depth

Floor surface on both sides of the door is level, no greater than 1°

Vertical threshold is no more than 6mm high

or

Beveled threshold is no more than 19mm high

Door hardware on both sides of the door can be operated using one hand, without tightly grasping, pinching, or twisting of the wrist

All operable parts of door hardware are mounted no less than 865mm and no greater than 1220mm above the floor

ACCESSIBLE WASHROOM RECOMMENDATIONS

Door can be opened easily with a maximum of 2.3kg force

Self-closing door takes at least 5 seconds to close from open position of 90° to a position of 12° from latch

If there are two doors in a series, the distance between the doors is a minimum of 1220mm plus the width of the doors when swinging into the space

If there is a privacy wall and the door swings out:

- there is a minimum 610mm of maneuvering clearance beyond the latch side of the door and
- 1065mm to the privacy wall

If there is a privacy wall and the door swings in:

- there is a minimum 610mm of maneuvering clearance beyond the latch side of the door and
 - a minimum of 1220mm to the privacy wall if there is no door closer
- or
- a minimum of 1370mm if there is a door closer

In a unisex washroom if the door swings in and over a clear floor space, there is a minimum of 760mm x 1220mm beyond the swing of the door and clear of fixtures/protruding objects

Toilet stall

Stall door opening width has a minimum of 815mm clear space, between the face of the door and the stop, when the door is open 90°

Front approach to the pull side of the stall door has at least 455mm of maneuvering clearance beyond the latch side plus at least 1525mm clear depth

Self-closing door takes at least 5 seconds to close from open position of 90° to a position of 12° from latch

Door hardware on both sides of the door can be operated using one hand, without tightly grasping, pinching, or twisting of the wrist

The lock can be operated using one hand, without tightly grasping, pinching, or twisting the wrist

All operable parts of door hardware are mounted no less than 865mm and no greater than 1220mm above the floor

ACCESSIBLE WASHROOM RECOMMENDATIONS

The stall is a minimum of 1525mm wide

If the toilet is wall hung:

- the stall is a minimum of 1420mm deep
OR

If the toilet is floor mounted:

- the stall a minimum of 1500mm deep

If the door swings in, the stall area beyond the swing of the door is:

- a minimum of 1525mm wide x 1420mm deep for wall hung toilet
or
- a minimum of 1525mm wide x 1500mm deep for floor mounted toilet

Toilet

The center line of the toilet is a minimum of 405mm and maximum of 455mm from the side wall or partition

Clearance provided around the toilet measures a minimum of 1525mm from the side wall and a minimum of 1420mm from the rear wall

The height of the toilet is between 430mm - 485mm above the floor measured to the top of the seat

Hand operated flush controls have operable parts located a maximum of 1220mm above the floor

Hand operated flush controls can be operated using one hand, without tightly grasping, pinching, or twisting of the wrist

Flush controls can be operated easily with a maximum of 2.3kg force

The flush control is located on the open side of the toilet

Grab bars

Side wall grab bar is:

- minimum 1065mm long
- maximum 305mm from the rear wall
- extends minimum 1370mm from rear wall

Side wall grab bar is mounted between 840mm - 915mm above the floor to the top of the gripping surface

Side wall grab bar has:

- minimum 305mm clearance between the grab bar and protruding objects above
- minimum 38mm clearance between the grab bar and projecting objects below
- minimum 38mm space between wall and the grab bar

Rear wall grab bar is:

- a minimum of 915mm long
- extends a minimum 305mm from the center line of the toilet on one side
- extends a minimum 610mm on the other side

Rear wall grab bar is mounted between 840mm - 915mm above the floor to the top of the gripping surface

Rear wall grab bar has:

- minimum 305mm clearance between the grab bar and protruding objects above
- minimum 38mm clearance between the grab bar and projecting objects below
- minimum 38mm space between wall and the grab bar

Toilet paper dispenser

Toilet paper dispenser is located between 180mm - 230mm from the front of the toilet to the center line of the dispenser

Dispenser opening is mounted between 380mm - 1220mm above the floor
(Not located behind grab bars)

Dispenser has a continuous flow of paper

Coat hook is located on the back of the door between 380mm - 1220mm above the floor

Sink

There is a minimum of one sink that has a clear floor space for a forward approach of 760mm wide x 1220mm long

There is a minimum of 485mm clear floor space extending under the sink
(so that a person using a wheelchair can get close enough to reach the faucet)

The front of the sink or counter surface (whichever is higher) is a maximum of 865mm above the floor

There is a minimum clearance height of 685mm from the floor to the bottom of the sink

Pipes below the sink are insulated, covered or otherwise configured to protect against contact

Faucets can be operated using one hand, without tightly grasping, pinching, or twisting the wrist

Faucets can be operated easily with a maximum of 2.3kg force

Washroom fixtures

There is a minimum of 915mm wide clear path to one of each type of fixture, e.g. sink, hand dryer, garbage bin etc.

There is a minimum diameter of 1525mm clear floor space available for a person in a wheelchair to turn around

Mirror

If the mirror is over a sink/countertop: the bottom edge of the reflecting surface is a maximum height of 1015mm above the floor

If the mirror is not over the sink/countertop: the bottom edge of the reflecting surface is a maximum of 890mm above the floor

Soap dispenser

Operable parts of the soap dispenser are a maximum of 1120mm from the floor above sinks/counters that are between 510mm - 635mm deep

Operable parts of the soap dispenser are a maximum of 1220mm from the floor above sinks/counters less than 510mm deep

Operable parts of the soap dispenser not over an obstruction, are a maximum of 1220mm above the floor

Hand dryer/Towel dispenser

Operable parts of the hand dryer/towel dispenser are a maximum of 1120mm from the floor above sinks/counters that are between 510mm - 635mm deep

Operable parts of the hand dryer/towel dispenser are a maximum of 1220mm from the floor above sinks/counters less than 510mm deep

Operable parts of the hand dryer/towel dispenser not over an obstruction, are a maximum of 1220mm above the floor

Hand dryer/towel dispenser can be operated using one hand without tightly grasping, pinching, or twisting the wrist

Hand dryer/towel dispenser can be operated easily with a maximum of 2.3kg force

Controls - light switches

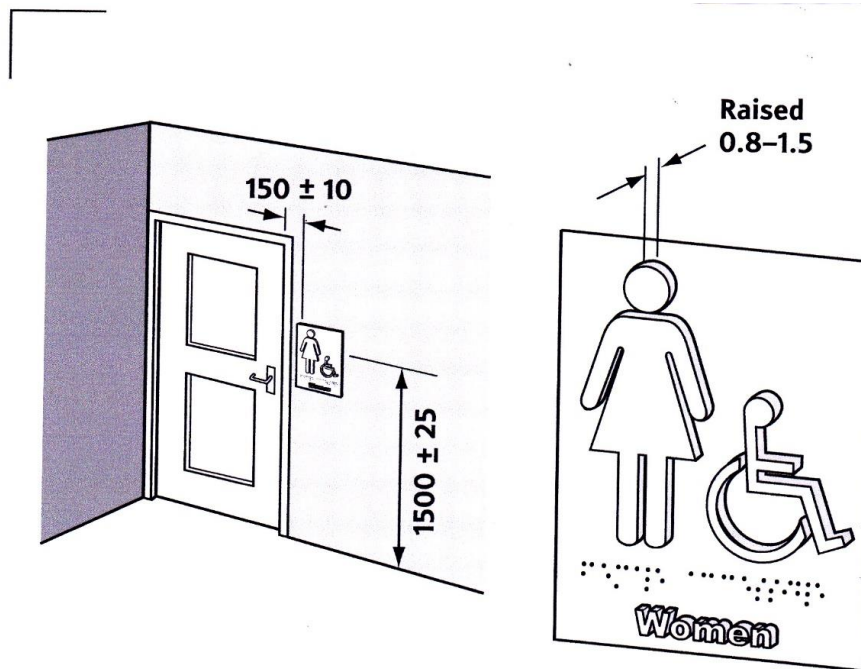
There is a minimum of 760mm wide x 1220mm long clear floor space for a forward or parallel approach

The operable parts are a maximum of 1220mm above the floor

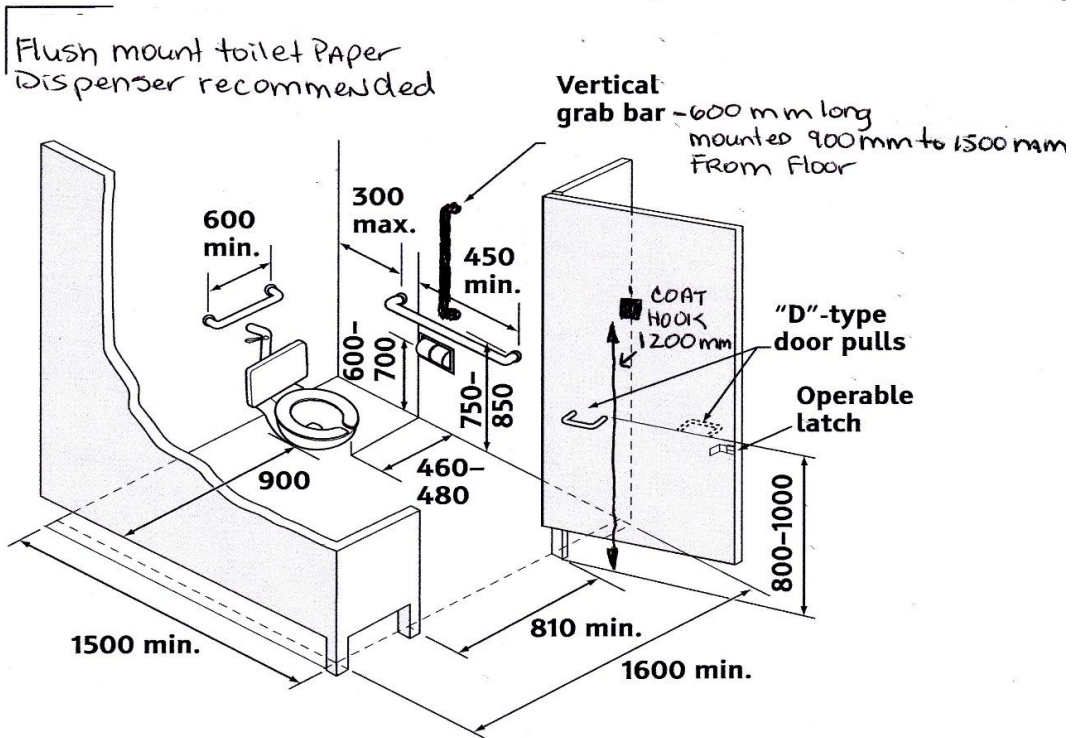
Controls can be operated using one hand without tightly grasping, pinching, or twisting the wrist

BEST PRACTICE EXAMPLES

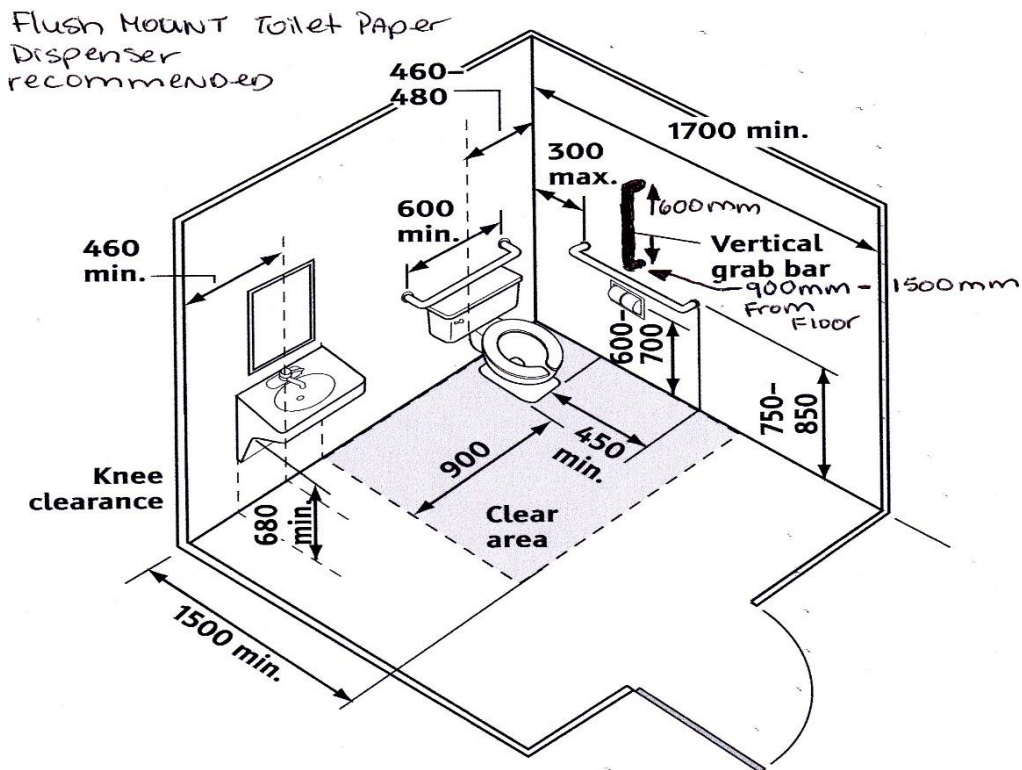
WASHROOM SIGNAGE



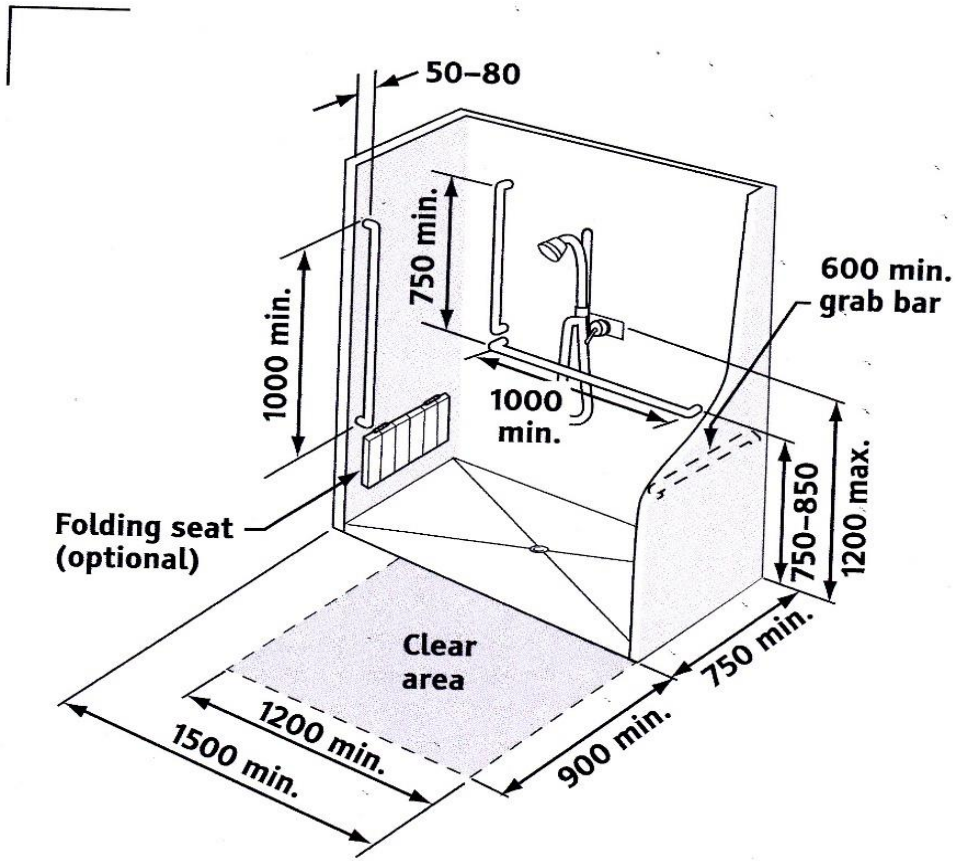
WASHROOM STALL



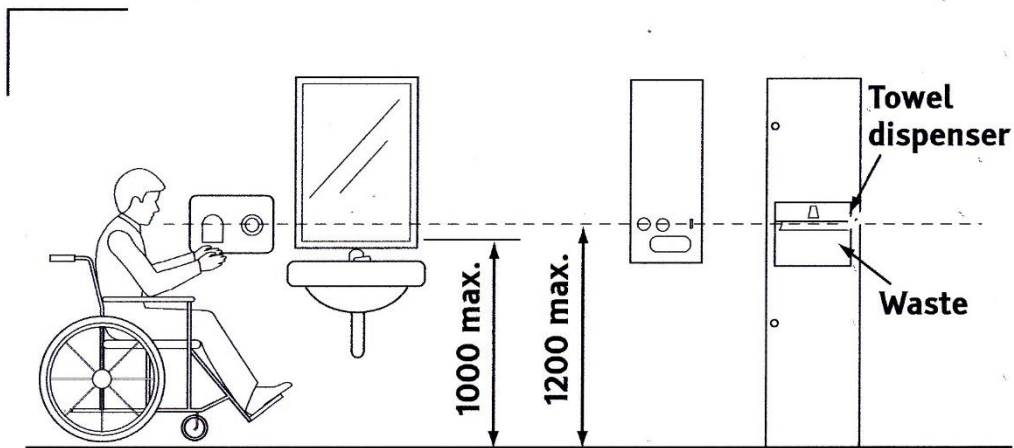
UNISEX WASHROOM



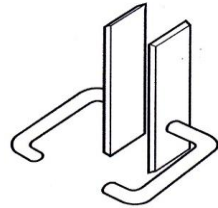
WHEEL-IN SHOWER STALL



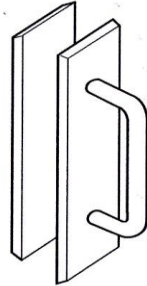
WASHROOM FIXTURE HEIGHTS



DOOR HANDLES

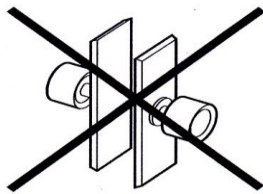


Lever handles

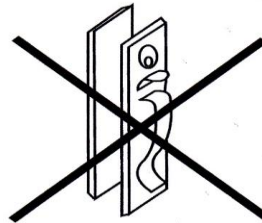


Push plate/
door pull

(a) Acceptable



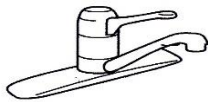
Knob handles



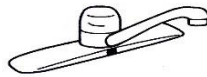
Thumb-latch handles

(b) Not acceptable

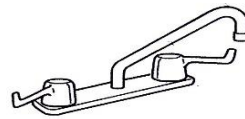
FAUCETS



Single lever handle

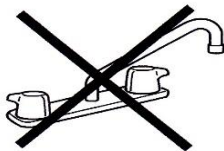


Automatic faucet



Long lever handles

Acceptable



Short lever handle



Push operated

Not acceptable

TOILET PAPER DISPENSER



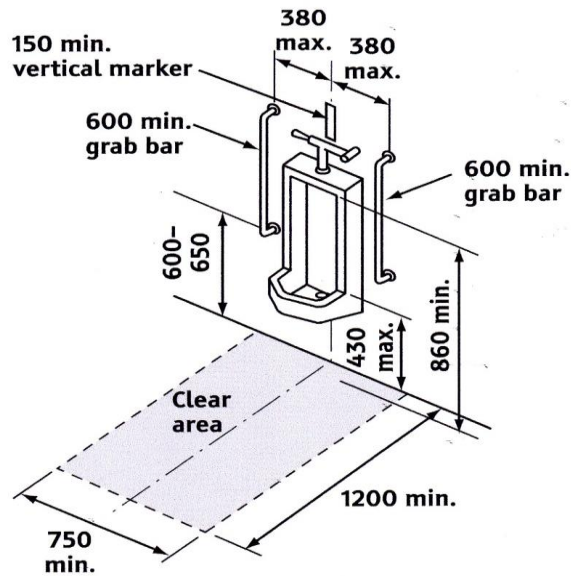
HAND DRYER



ACCESSIBLE URINAL

Commentary:

The height range for the well of the urinal is intended to permit the urinal to be usable by persons in wheelchairs as well as persons standing (see Figure 41). The marker strip will facilitate use of the urinal by blind or visually impaired persons. Where more than one urinal is provided in a washroom, all urinals should be identified by vertical markers.



WATER FOUNTAIN

